

ALPHAFIT®



SINGLE CAGE WITH 1050MM SMITH EXTENSION

1 | SERIOUS PLATE LOADED STRENGTH TRAINING WITH NO COMPROMISE

Consisting of a Single Cage at the front and an integrated Smith Kit 1050mm on the back, this piece of equipment is built for high-performance with no compromise on space.

3 | 0° FRAME ANGLE FOR ACCURATE FORCE PLATE TESTING

The Smith Machine's 0° frame allows for force pad testing and gathering anthropometric data. By removing the factor of angled force or side loads, this unit can be used for accurately measuring athletes' performance in isolated movements.

5 | FEATURES TO HELP YOU FIND YOUR PERFECT SETUP AND SQUAT SAFELY

Load rated to 300kg with 40 racking positions, feel confident securely nesting the bar with closer catch positions than others on the market. The machine also features bottom drop stops that can be used as a spotter across the full range of the machine. The machine's safety covers protect moving parts while still allowing the user to clearly see the catch racking positions. The covers also include backlit numbering making it easier than ever to find your preferred position and set up every time.

2 | MAXIMISED HEIGHT FOR EVEN THE TALLEST ATHLETES

With a height of 2750mm the AlphaFit Single Cage with Smith Extension 1050mm is designed to allow a 99th percentile male to conduct an overhead press at full extension.

4 | OPTIONAL TOP STOP AND LOCKOUT TO ENHANCE YOUR WORKOUT

Increase the intensity of your workout with added optional top stops that provide the ability to set a top limit for the barbell, restricting over extension and maintaining tension. The optional lockout functionality allows you to cover the catch racking system of the barbell. This prevents the user from accidentally twisting the bar and racking into the hooks mid set, allow for uninterrupted movement of the barbell.

6 | PROUDLY MADE IN AUSTRALIA, CUSTOMISED TO YOUR REQUIREMENTS

The Smith Cage with Smith Extension 1050mm is 100% Australian made, allowing us to offer an unbeatable level of customisation including colour, branding and accessories. Train your way with market-leading equipment that's adapted to your requirements and customise your gym layout with sleek, functional equipment.

Standard model pictured - Single Cage with 1050mm Smith Extension in Charcoal Grey. Custom configurations and colours available. Contact your sales representative for more information.



Learn more at alphafit.com.au/single-cage-with-smith-extension-1050mm

ALPHAFIT®



**BUILT FOR S&C
GYMS LOOKING TO
INCORPORATE SERIOUS
PLATE LOADED STRENGTH
TRAINING INTO THEIR
FACILITY WITHOUT THE
NEED TO COMPROMISE
FUNCTION OR SPACE.**



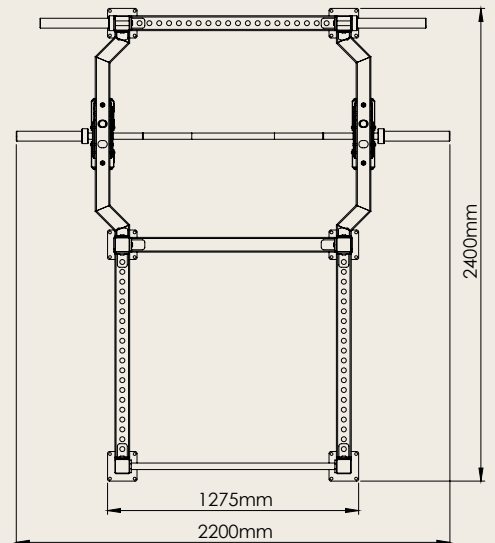
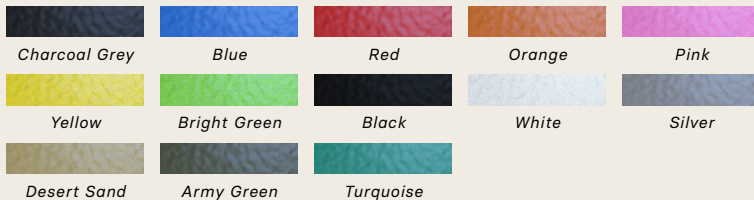
SINGLE CAGE WITH SMITH EXTENSION 1050MM SPECIFICATIONS

Product Dimensions (L x W x H): 2200mm x 2400mm x 2750mm

Product Weight: 430kg

Warranty: 'Built Not Bought' warranty

Standard Colour Options: Choose from 13 colours



Learn more at alphafit.com.au/single-cage-with-smith-extension-1050mm

