

# ALPHAFIT®



## CORE ASSISTED RESISTED CHIN DIP MACHINE

### 1 | SWITCH FROM ASSISTED TO RESISTED TRAINING

The AlphaFit Core Chin Dip Machine does more than facilitate assisted and unassisted chin ups and dips. The patent-pending machine includes the option to add resistance to your movements with a belted cable system—a feature that is unique in the fitness industry.

### 3 | COMFORTABLE ON YOUR KNEES SO YOU CAN FOCUS ON YOUR REPS

The AlphaFit Core Chin Dip Machine is equipped with a comfortable knee pad that is hydraulically dampened for smooth engagement or disengagement with a self-latching mechanism. The assistance platform compactly folds away for easy storage for unassisted or resisted exercises.

### 5 | DESIGNED, ENGINEERED AND TESTED WITH SAFETY IN MIND

The Core Assisted Resisted Chin Dip Machine is industry-leading in guarding and safety with a fully enclosed weight stack. The four steps and platform also feature a high-friction surface that makes it easy to get on and off with confidence.

### 2 | PERFORM PULL-UPS COMFORTABLY WITH MULTIPLE GRID OPTIONS

The AlphaFit Core Assisted Resisted Chin Dip Machine features continuous mandrel bent tubes that offer multiple pull-up locations for better ergonomics. Finished with AlphaFit's unique textured grip means you can perform more reps with less wear and tear on your hands.

### 4 | LARGEST WEIGHT RANGE ON THE MARKET

Our Chin Dip Machine boasts the heaviest pin-loaded stack on the market. The pin-loaded stack increases by 2.5kg up to 25kg, then 5kg jumps to 100kg, for precise weight adjustments and progressive overload.

### 6 | PROUDLY MADE IN AUSTRALIA, CUSTOMISE THE CHIN DIP THE WAY YOU'VE ALWAYS WANTED

The Core Assisted Resisted Chin Dip Machine is 100% Australian-made, allowing us to offer customisation, including colour. Part of the newest range of AlphaFit pin-loaded machines, you can easily create the best strength setup for your unique space and training requirements.

*Standard model pictured - Core Assisted Resisted Chin Dip Machine in Charcoal Grey. Custom configurations and colours available. Contact your sales representative for more information.*

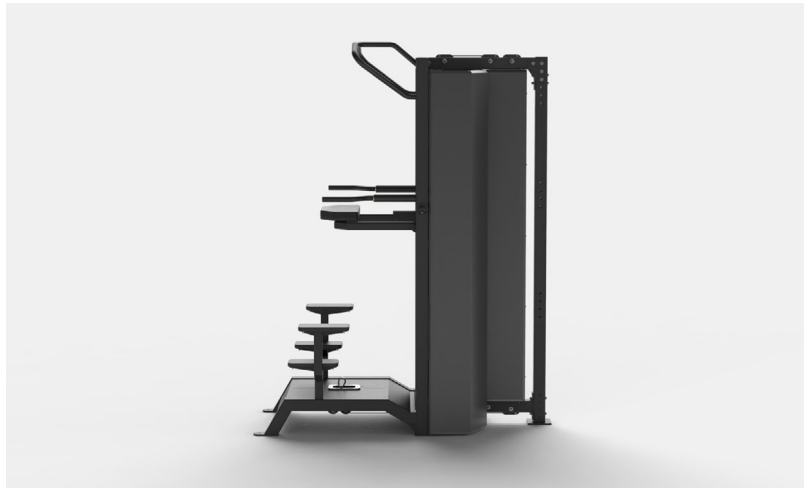


Learn more at [alphafit.com.au/core-assisted-resisted-chin-dip-machine](https://alphafit.com.au/core-assisted-resisted-chin-dip-machine)

# ALPHAFIT®

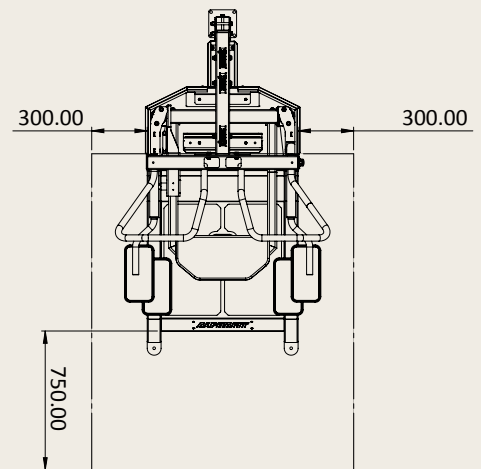
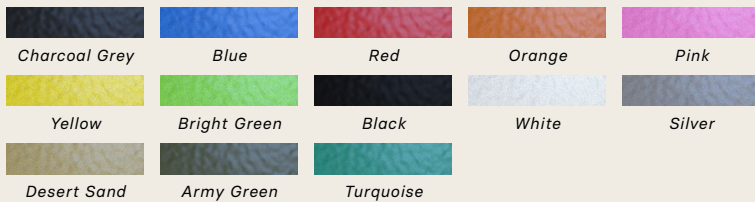


**THIS IS SO MUCH MORE THAN YOUR AVERAGE CHIN DIP MACHINE. DESIGNED AND ENGINEERED IN AUSTRALIA WITH PERFORMANCE, SAFETY AND AESTHETICS IN MIND, THIS PRODUCT IS GUARANTEED TO BE THE CENTREPIECE OF YOUR COMMERCIAL GYM, SPECIALTY STRENGTH OR REHAB FACILITY.**



## CORE ASSISTED RESISTED CHIN DIP SPECIFICATIONS

- Product Dimensions (L x W x H):** 2500mm x 1500mm x 2600mm
- Product Weight:** 468kg
- Max Pin-Load Capacity:** 100kg
- Pin-Load Increments:** 2.5kg increments to 25kg, 5kg increments to 100kg
- Warranty:** 'Built Not Bought' warranty
- Standard Colour Options:** Choose from 13 colours



Learn more at [alphafit.com.au/core-assisted-resisted-chin-dip-machine](http://alphafit.com.au/core-assisted-resisted-chin-dip-machine)

